

TYPICAL FLOOR PLAN

SCALE: 1/4" = 1'-0"

NOTE:

PENETRATIONS THROUGH RATED ASSEMBLIES MUST BE PER R302.4.1.1 AND R302.4.1.2.

GENERAL NOTES:

1. PARKING BUMPER (IF REQUIRED) MUST BE INSTALLED BEFORE C.O.
2. 5/8" TYPE "X" GYP. BOARD REQUIRED ON CEILING OF GARAGE WHERE HABITABLE SPACE IS ABOVE PER FBC R302.6.
3. HVAC PENETRATING RATED ASSEMBLIES TO COMPLY WITH FBC R302.5.
4. UNDER STAIR PROTECTION TO COMPLY WITH FBC R302.7 (IF ACCESSIBLE).

GUARDRAIL NOTE:

DEPENDING ON FIELD CONDITIONS, DIMENSIONS MAY VARY BUT MUST COMPLY WITH FLORIDA BUILDING CODES R312.1 FOR GUARDRAIL REQUIREMENTS AND OPENINGS.
 *HEIGHT SHALL BE 36" MIN. WHEN PORCH, BALCONY OR RAISED FLOOR EXCEEDS 30" ABOVE FLOOR OR GRADE AND SHALL BE 34" ON OPEN SIDES OF STAIRS THAT EXCEED 30" OR MORE ABOVE FLOOR OR GRADE.
 *OPENINGS SHALL HAVE INTERMEDIATE RAILS OR CLOSURES WHICH DO NOT ALLOW PASSAGE OF SPHERE 4" OR GREATER IN DIAMETER. REQUIRED GUARD RAILS ON THE SIDES OF STAIR TREADS SHALL NOT ALLOW SPHERE GREATER THAN 4-3/8" IN DIAMETER TO PASS THROUGH.

HANDRAIL NOTE:

DEPENDING ON FIELD CONDITIONS, DIMENSIONS MAY VARY BUT MUST COMPLY WITH FLORIDA BUILDING CODES R311.7.8 FOR HANDRAIL HEIGHT CONTINUITY AND SIZE.
 *HEIGHT: MUST BE BETWEEN 34-38" MEASURED VERTICALLY FROM SLOPED PLANE.
 *CONTINUITY: HANDRAIL MUST BE CONTINUOUS THROUGH FULL LENGTH OF FLIGHT FROM POINT DIRECTLY ABOVE HIGHEST RISER TO POINT DIRECTLY ABOVE LOWEST RISER. HANDRAIL ENDS SHOULD TERMINATE IN NEWEL POSTS OR SAFETY TERMINAL OR RETURN TO WALL. HANDRAILS SHALL BE ALLOWED TO BE INTERRUPTED BY NEWEL POSTS.
 *SIZE: SHALL HAVE OUTSIDE DIAMETER BETWEEN 1-1/4"-2" IF CIRCULAR. SHALL HAVE BETWEEN 4-6" PERIMETER IF NOT CIRCULAR.

STAIR NOTE:

DEPENDING ON FIELD CONDITIONS, DIMENSIONS MAY VARY BUT MUST COMPLY WITH FLORIDA BUILDING CODES R311.7.5 FOR TREAD DEPTH, RISER HEIGHTS AND STAIR WIDTHS.
 *RISERS: 7-3/4" MAXIMUM WITH NO MORE THAN 3/8" DIFFERENCE BETWEEN HIGHEST AND LOWEST RISER.
 TREADS: 10" MINIMUM DEPTH WITH NO MORE THAN 3/8" DIFFERENCE BETWEEN LONGEST AND SHORTEST TREAD. THE SUM OF 2 TREADS AND 1 RISER TO BE NOT LESS THAN 24" AND NOT MORE THAN 25".
 *WIDTH: 36" MINIMUM CLEAR WIDTH ABOVE HANDRAIL AND 31-1/2" BELOW HANDRAIL.

NOTE:
 A FOUNDATION SURVEY SHALL BE PERFORMED AND A COPY OF THE SURVEY SHALL BE ON THE SITE FOR THE BUILDING INSPECTORS USE PRIOR TO FRAMING INSPECTION.

DRAWING INDEX

SHEET NUMBER	SHEET NAME
A1.1	FLOOR PLAN
A1.2	FOUNDATION PLAN
A1.3	ROOF PLAN
A1.4	ELECTRIC PLAN
A2.1	ELEVATIONS
A3.1	DETAIL SHEET

CODE INFORMATION

BUILDING CODE: 2023 FLORIDA BUILDING CODE RESIDENTIAL 8th ADDITION
 2023 FLORIDA BUILDING CODE PLUMBING
 2023 FLORIDA BUILDING CODE MECHANICAL
 2020 NEC

CONSTRUCTION TYPE5B
 OCCUPANCY CLASS: R-3

LEGEND

SYMBOL	DESCRIPTION
	EXTERIOR 2"x4" WOOD FRAME WALL
	FIREWALL

BUILDING AREAS PER UNIT

HEATED AREA	977 SF
GARAGE	274 SF
FRONT PORCH	16 SF
TOTAL UNDER ROOF	1,267 SF
PATIO	24 SF

CONDITIONED SPACE = 7,816 CF

NOTES:

1. IF SHOWER HAS GLASS ENCLOSURE, SAFETY GLAZING REQUIRED PER FBC R-308.4.5.
2. PROVIDE TEMPERED GLASS AS REQUIRED.
3. CONTRACTOR MUST VERIFY ALL DIMENSIONS.
4. PENETRATIONS THROUGH RATED ASSEMBLIES MUST BE PER R302.4.1.1 AND R302.4.1.2

No	Revisions	Date	By
1			
2			
3			
4			
5			
6			

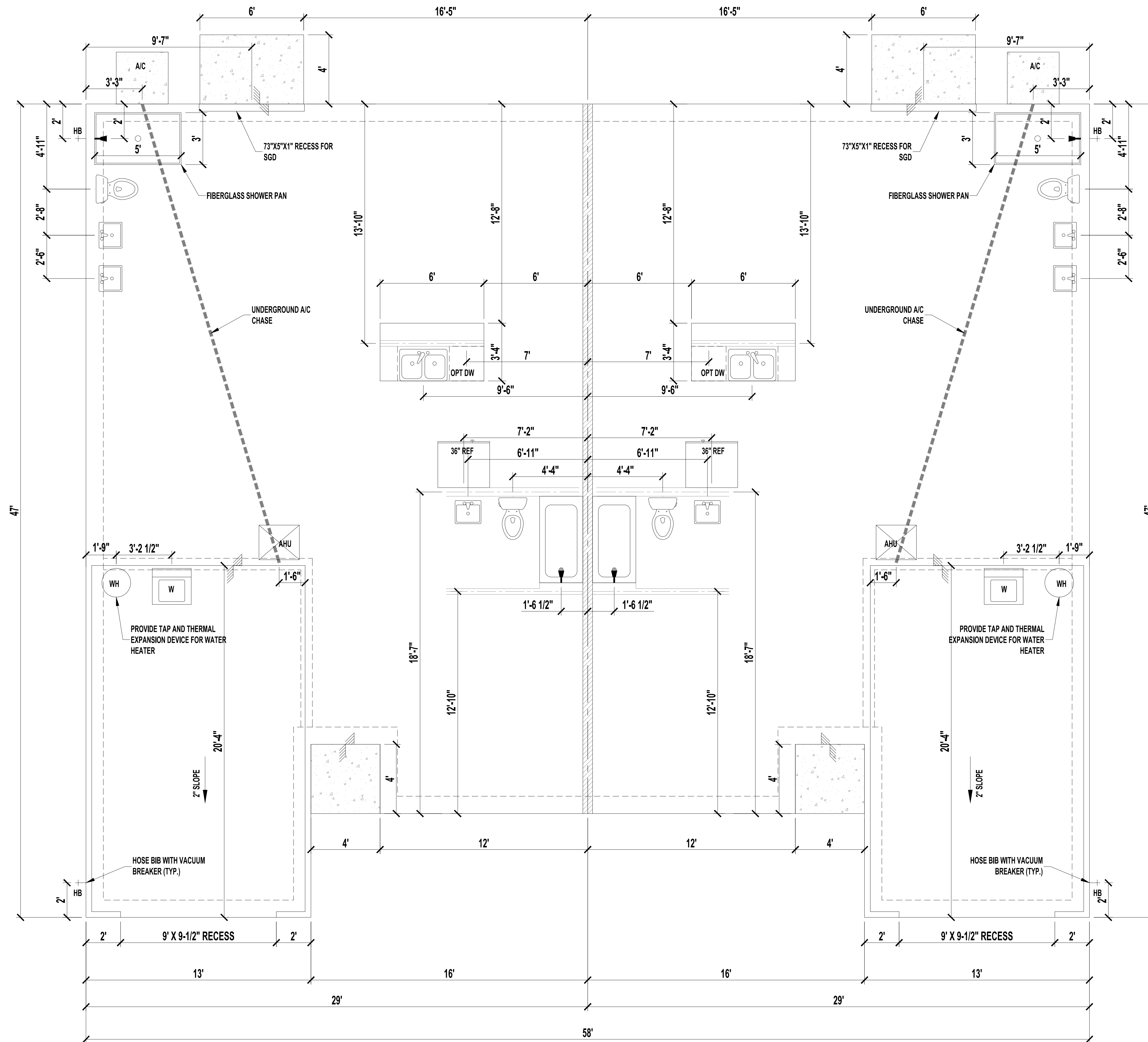
**1 STORY DUPLEX
 1954 FRAME**
 PALM COAST

**SOUTHERN IMPRESSION
 HOMES**
 5711 Richard St., Suite 1
 Jacksonville, FL 32216

A Project For:

Sheet Description
A1.1 - Floor Plan

Drawn by: _____ Checked by: _____
 Issued Date: _____ Scale (U.N.O.): _____
 Printed Date: _____ Sheet Number: _____



FOUNDATION PLAN

SCALE: 1/4" = 1'-0"

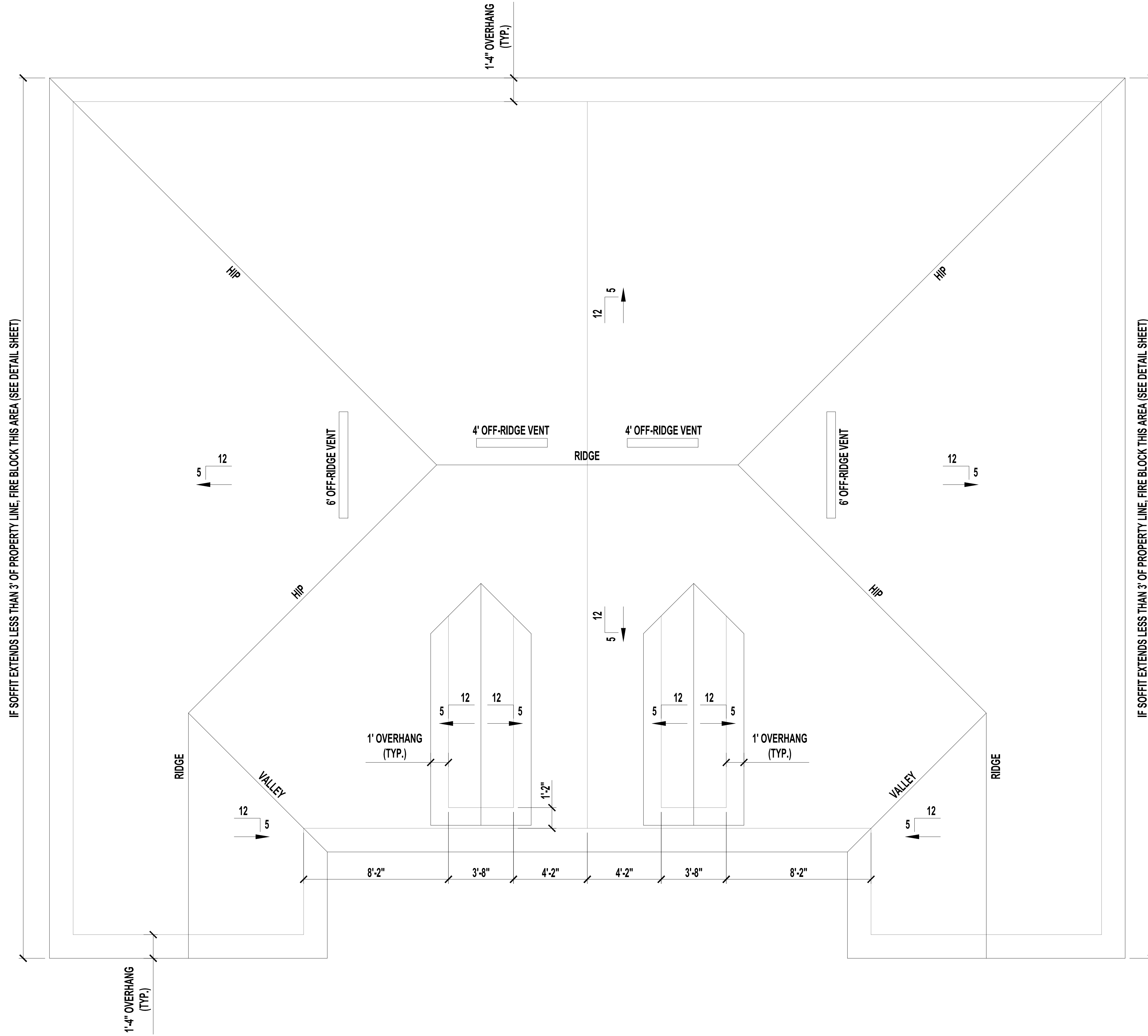
No	Revisions	Date	By
1			
2			
3			
4			
5			
6			

**1 STORY DUPLEX
1954 FRAME**
PALM COAST

**SOUTHERN IMPRESSION
HOMES**
5711 Richard St. Suite 1
Jacksonville, FL 32216

A Project For:
Sheet Description
**A1.2 -
Foundation Plan**

Drawn by:	Checked by:
Issued Date:	Scale (U.N.O.):
Printed Date:	Sheet Number:



ROOF PLAN "D"
SCALE: 1/4" = 1'-0"

VENT CALCULATIONS PER UNIT

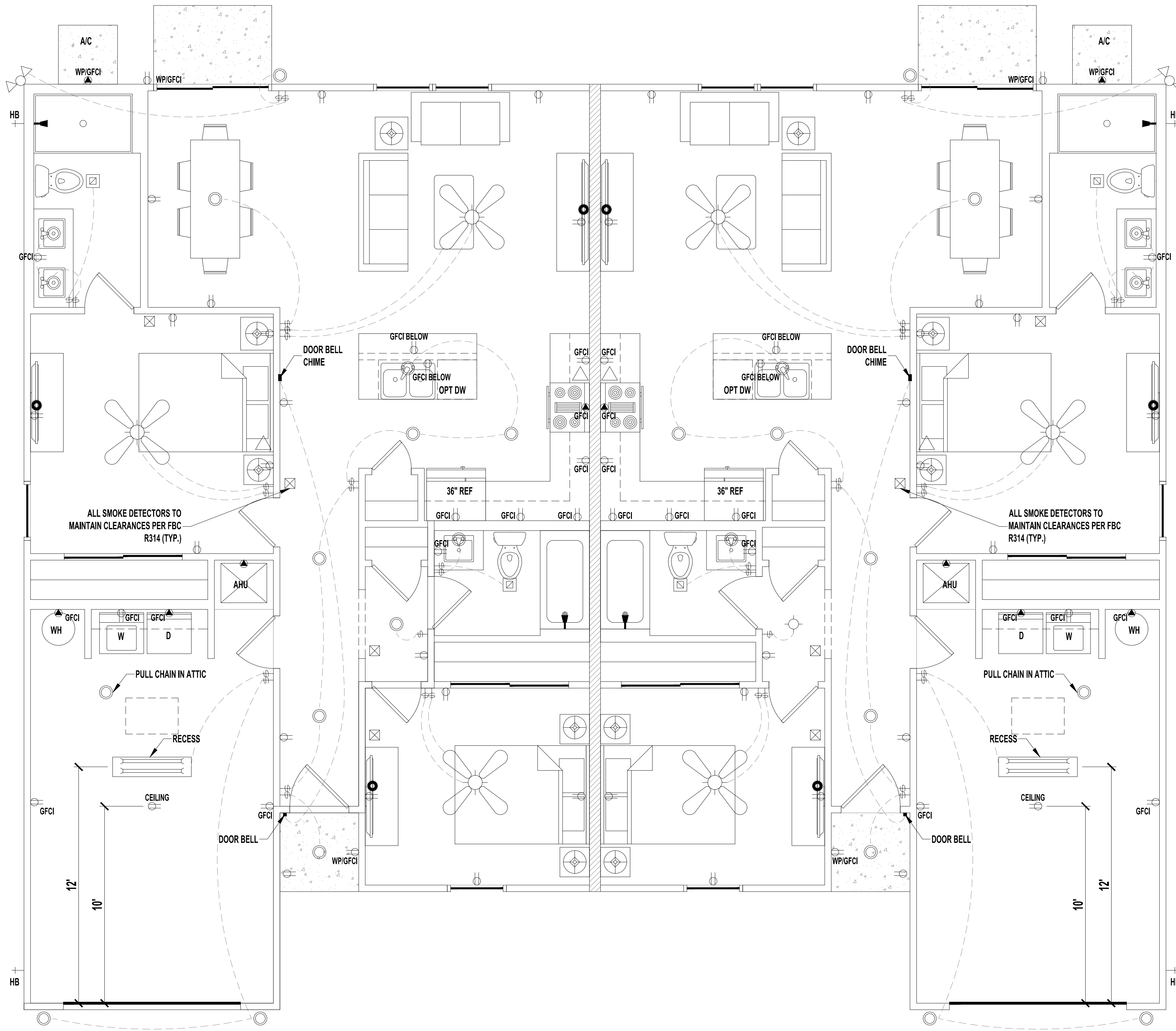
VENTED SOFFIT
 VENTILATED ATTIC AREA: 1,267 SQ. FT.
 $1,267 / 300 = 4.22$ SQ. FT.
 4.22 SQ. FT. X $144 = 608$ SQ. IN. TOTAL NET FREE VENT AREA
 $608 \times 50\% = 304$ SQ. IN. NET FREE
 SOFFIT REQUIREMENT = 6.55 SQ. IN. NET FREE PER LF
 $304 / 6.55 = 46$ LF VENTED SOFFIT REQUIRED
OFF-RIDGE VENTS
 VENTILATED ATTIC AREA: 1,267 SQ. FT.
 $1,267 / 300 = 4.22$ SQ. FT.
 4.22 SQ. FT. X $144 = 608$ SQ. IN. TOTAL NET FREE VENT AREA
 $608 \times 50\% = 304$ SQ. IN. NET FREE
 (1) 4' AND (1) 6' OFF-RIDGE VENT REQUIRED
 (4' = 144 SQ. IN. EACH, 6' = 216 SQ. IN. EACH)

No	Revisions	Date	By
1			
2			
3			
4			
5			
6			

1 STORY DUPLEX
1954 FRAME
 PALM COAST

A Project For:
SOUTHERN IMPRESSION HOMES
 5711 Richard St., Suite 1
 Jacksonville, FL 32216

Sheet Description	
A1.3 - Roof Plan D	
Drawn by:	Checked by:
Issued Date:	Scale (U.N.O.):
Printed Date:	Sheet Number:



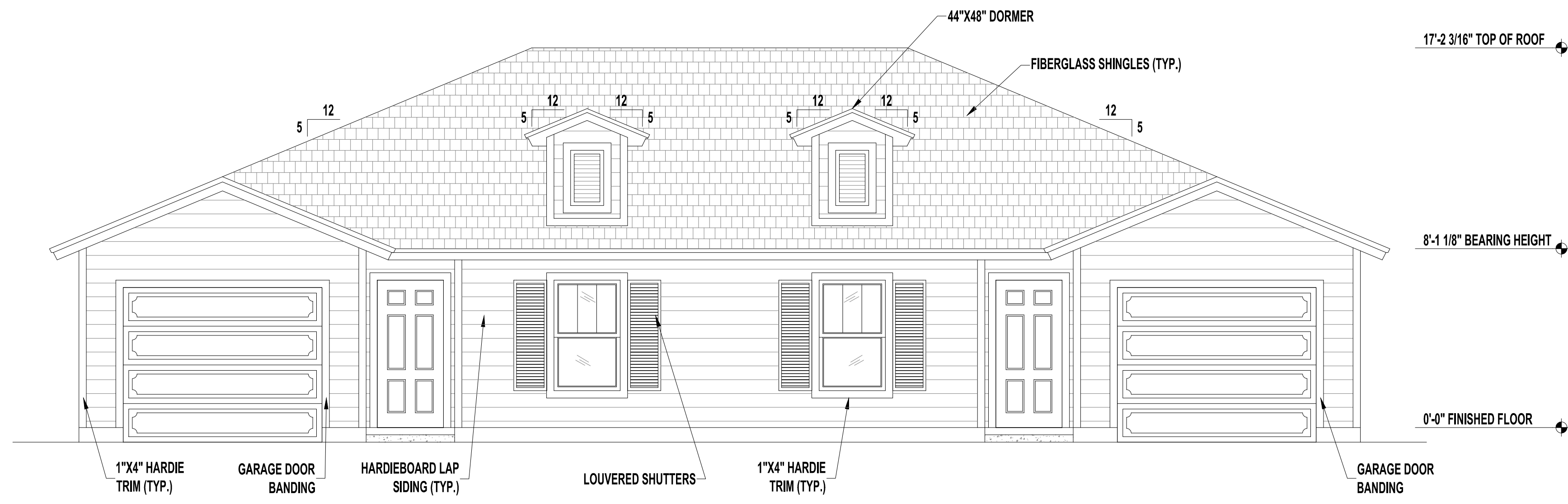
LEGEND

	(2) 110V OUTLETS
	(1) 220V DISCONNECT
	(1) 220V WATERPROOF GFCI OUTLETS (INTERIOR)
	(2) 110V WATERPROOF GFCI OUTLETS (INTERIOR)
	(2) 110V WATERPROOF GFCI OUTLETS (EXTERIOR)
	SINGLE POLE SWITCH
	THREE WAY SWITCH
	LIGHT FIXTURE / EXHAUST FAN
	RECESSED LIGHT FIXTURE
	PENDANT LIGHTING
	PRE-WIRE AND BRACE FOR CEILING FAN
	SMOKE/CARBON MONOXIDE DETECTOR
	OPTIONAL FLOOD LIGHT
	1'X4' FLOURESCENT LIGHT
	CABLE OUTLET
	PHONE OUTLET

NOTES:
 1. ELECTRICAL LAYOUT MUST MEET STATE AND LOCAL CODES. ELECTRICIAN TO VERIFY.
 2. ALL FIXTURES TO BE CFL OR LED.
 3. ALL OUTLETS THAT ARE NOT GFI TO BE AFCI PROTECTED.

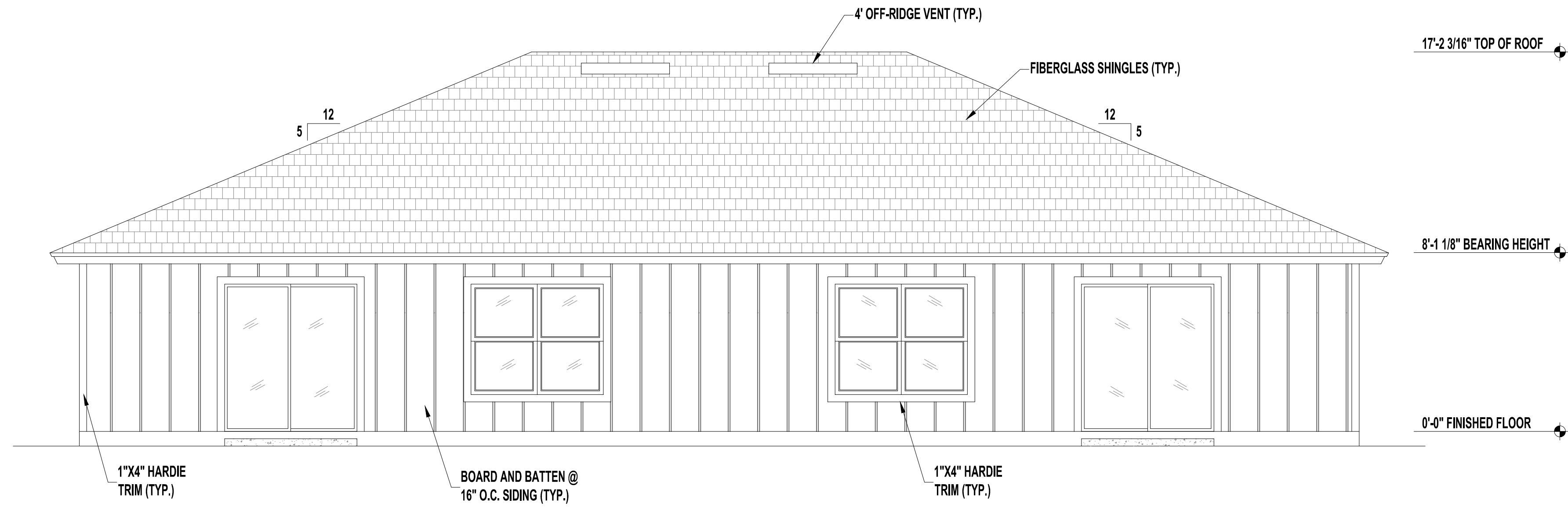
TYPICAL ELECTRIC PLAN
 SCALE: 1/4" = 1'-0"

<h2 style="margin: 0;">1 STORY DUPLEX 1954 FRAME</h2> <p style="margin: 0; font-size: small;">PALM COAST</p>																													
<p style="font-size: x-small;">A Project For:</p> <p style="font-weight: bold; margin: 0;">SOUTHERN IMPRESSION HOMES</p> <p style="font-size: x-small; margin: 0;">5711 Richard St., Suite 1 Jacksonville, FL 32216</p>	<table border="1" style="width: 100%; border-collapse: collapse; font-size: x-small;"> <thead> <tr> <th style="width: 10%;">No</th> <th style="width: 10%;">Date</th> <th style="width: 10%;">By</th> <th style="width: 10%;">Revisions</th> </tr> </thead> <tbody> <tr><td>1</td><td></td><td></td><td></td></tr> <tr><td>2</td><td></td><td></td><td></td></tr> <tr><td>3</td><td></td><td></td><td></td></tr> <tr><td>4</td><td></td><td></td><td></td></tr> <tr><td>5</td><td></td><td></td><td></td></tr> <tr><td>6</td><td></td><td></td><td></td></tr> </tbody> </table>	No	Date	By	Revisions	1				2				3				4				5				6			
No	Date	By	Revisions																										
1																													
2																													
3																													
4																													
5																													
6																													
<p>Sheet Description</p> <p>A1.4 - Electric Plan</p>																													
<p>Drawn by:</p> <p>Issued Date:</p> <p>Printed Date:</p>	<p>Checked by:</p> <p>Scale (U.N.O.):</p> <p>Sheet Number:</p>																												



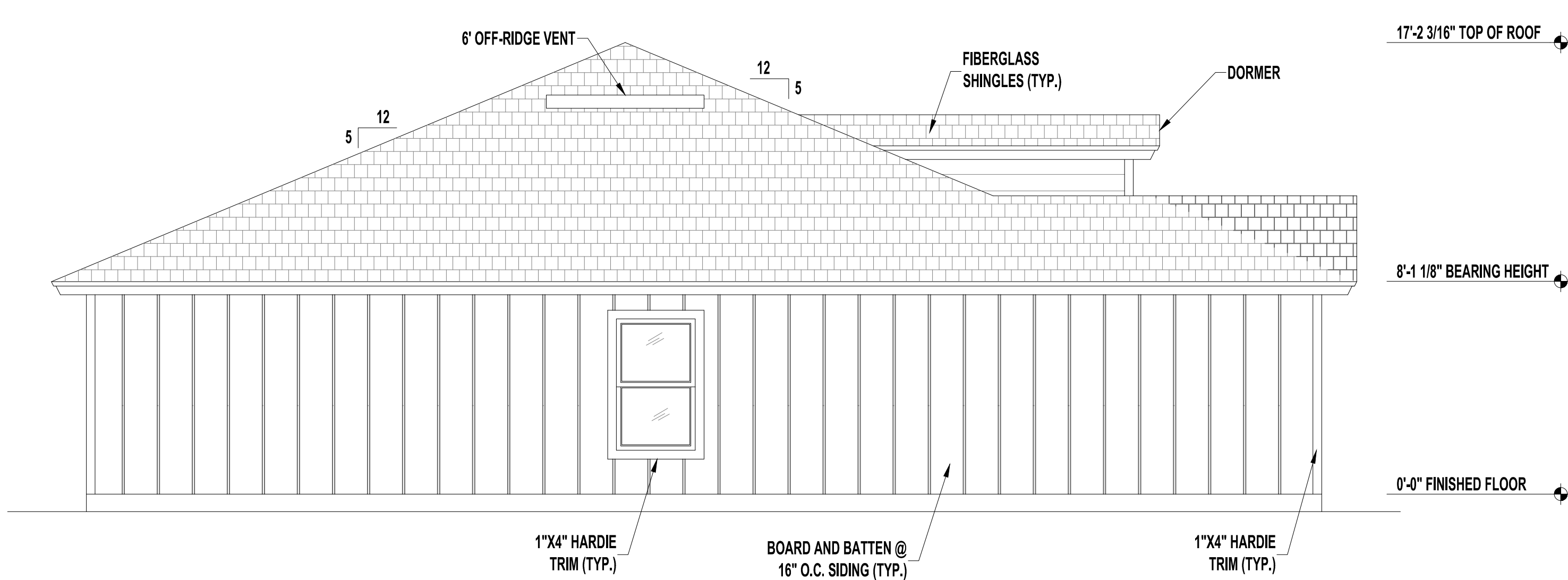
FRONT ELEVATION "D" - GARAGE GABLES WITH DORMERS

SCALE: 1/4" = 1'-0"



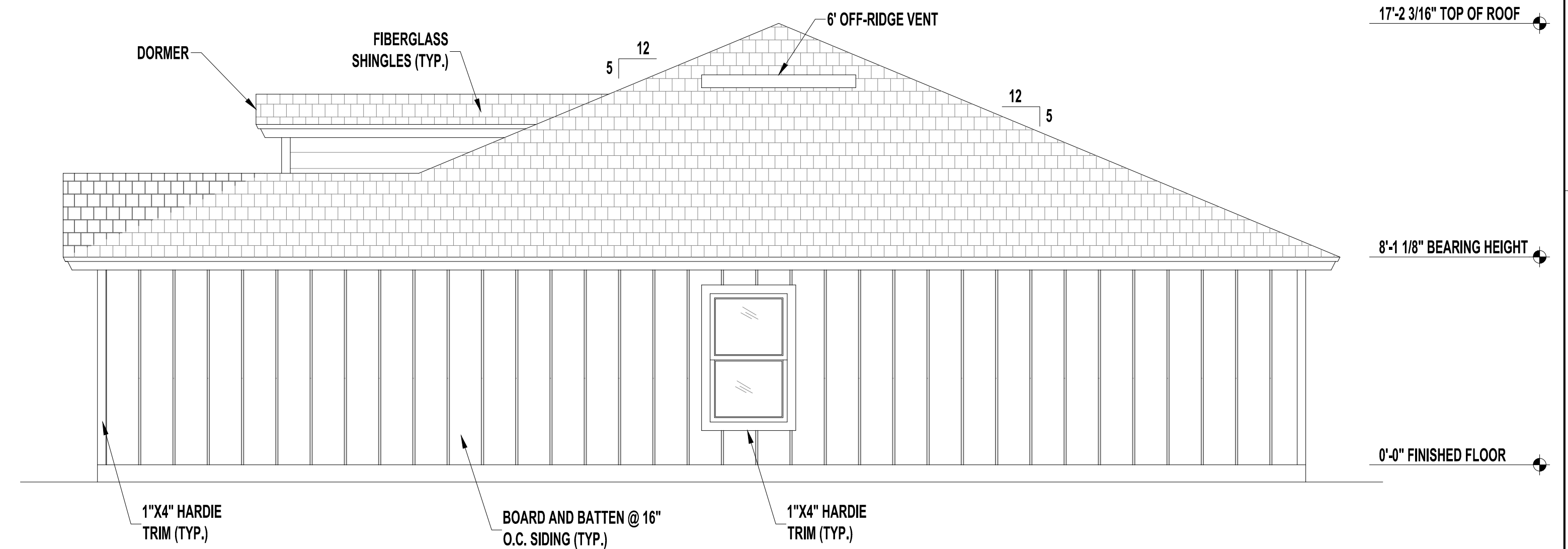
REAR ELEVATION

SCALE: 1/4" = 1'-0"



LEFT SIDE ELEVATION "D"

SCALE: 1/4" = 1'-0"



RIGHT SIDE ELEVATION "D"

SCALE: 1/4" = 1'-0"

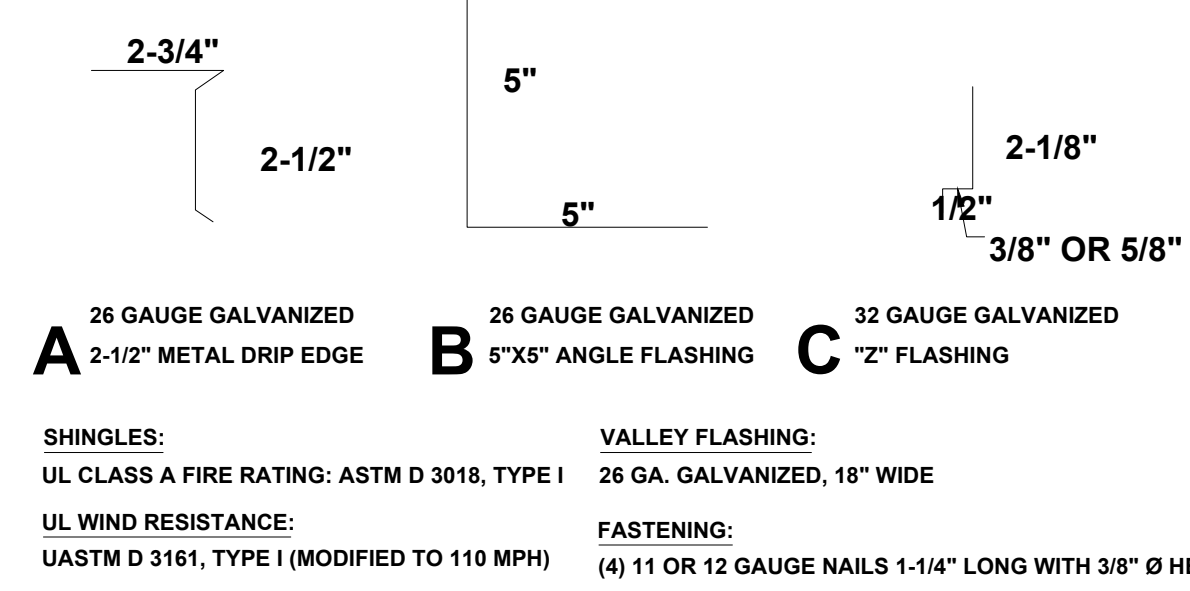
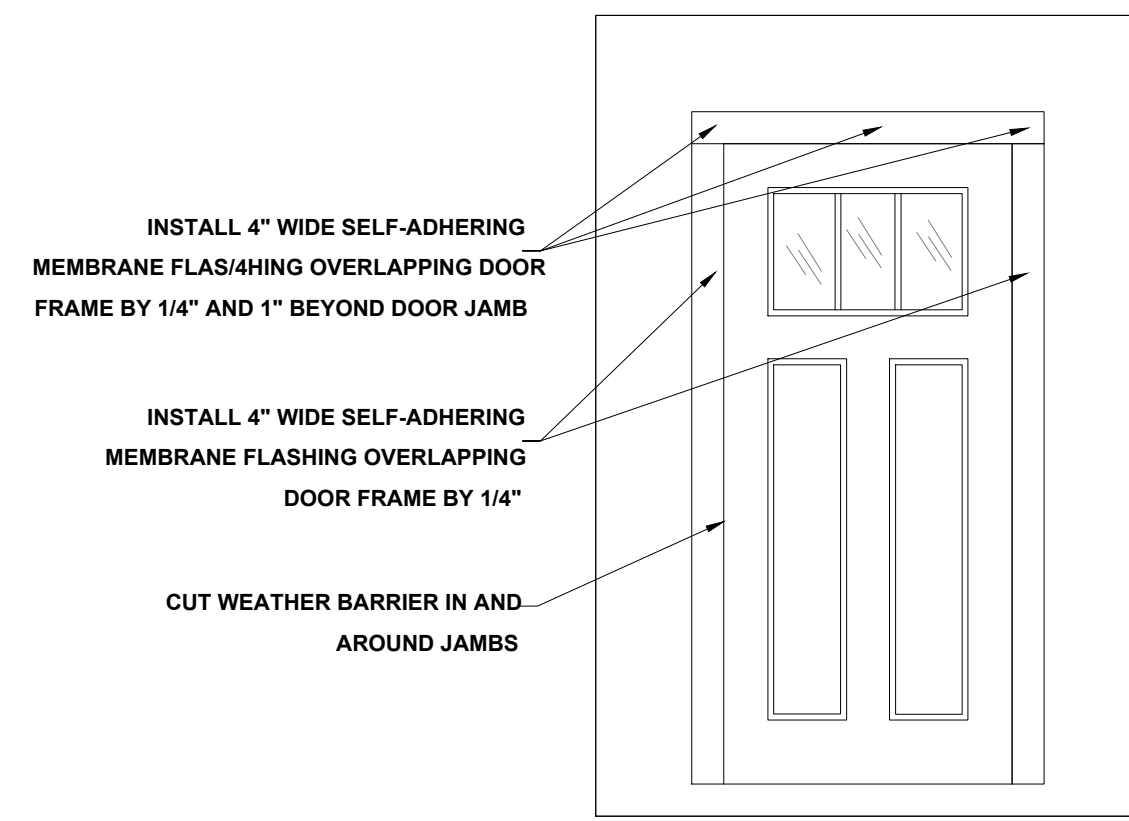
No	Revisions	Date	By
1			
2			
3			
4			
5			
6			

**1 STORY DUPLEX
1954 FRAME**
PALM COAST

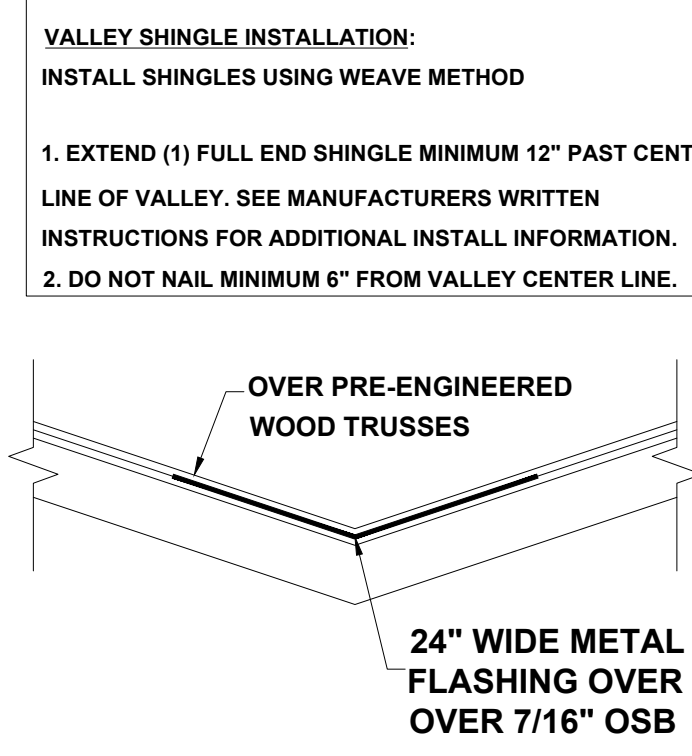
**SOUTHERN IMPRESSION
HOMES**
5711 Richard St., Suite 1
Jacksonville, FL 32216

A Project For:
Sheet Description
**A2.1 -
Elevations D**

Drawn by:	Checked by:
Issued Date:	Scale (U.N.O.):
Printed Date:	Sheet Number:



FLASHING DETAILS AND SHINGLE INFORMATION
SCALE : 3" = 1'-0"



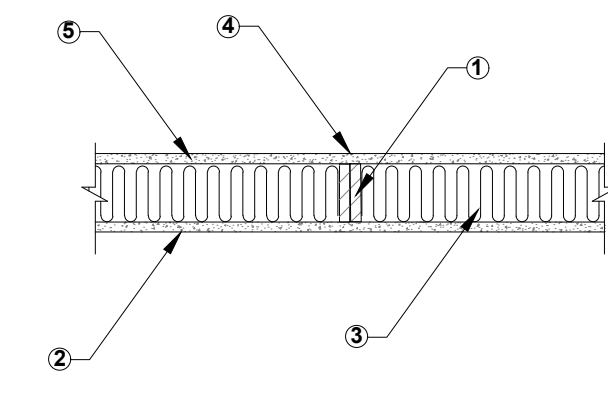
VALLEY FLASHING DETAIL
NOT TO SCALE

R703.4 FLASHING:

APPROVED CORROSION-RESISTANT FLASHING SHALL BE APPLIED SHINGLE-FASHION IN SUCH A MANNER TO PREVENT ENTRY OF WATER INTO THE WALL CAVITY OR PENETRATION OF WATER TO THE BUILDING STRUCTURAL FRAMING COMPONENTS. THE FLASHING SHALL EXTEND TO THE SURFACE OF THE EXTERIOR WALL FINISH. APPROVED ANTI-CORROSION RESISTANT FLASHING SHALL BE INSTALLED AT ALL OF THE FOLLOWING LOCATIONS:

- AT THE INTERSECTION OF CHIMNEYS OR OTHER MASONRY CONSTRUCTION WITH FRAME OR STUCCO WALLS, WITH PROJECTING LIPS ON BOTH SIDES UNDER STUCCO COPINGS.
- UNDER AND AT THE ENDS OF MASONRY, WOOD OR METAL COPINGS AND SILLS.
- CONTINUOUSLY ABOVE ALL PROJECTING WOOD TRIM.
- WHERE EXTERIOR PORCHES, DECKS OR STAIRS ATTACH TO A WALL OR FLOOR ASSEMBLY OR WOOD FRAMED CONSTRUCTION.
- AT ALL WALL AND ROOF INTERSECTIONS.
- AT BUILT IN GUTTERS.

WS6 - 1.4 One-Hour Fire - Resistive Wood Wall Assembly
2x6 Wood Stud Wall - 100% Design Load - ASTM E 119/NFPA 251



- Framing - Nominal 2x6 wood studs, spaced 16in o.c., double top plates, single bottom plate
- Sheathing - 5/8in Type X gypsum wallboard, 4ft. wide, applied vertically. All panel edges backed by framing or blocking
- Insulation - R-19 fiberglass insulation
- Fasteners - 2-1/4in Type S drywall screws, spaced 12in o.c.
- Joints and Fastener Heads - Wallboard joints covered with paper tape and joint compound, fastener heads covered with joint compound

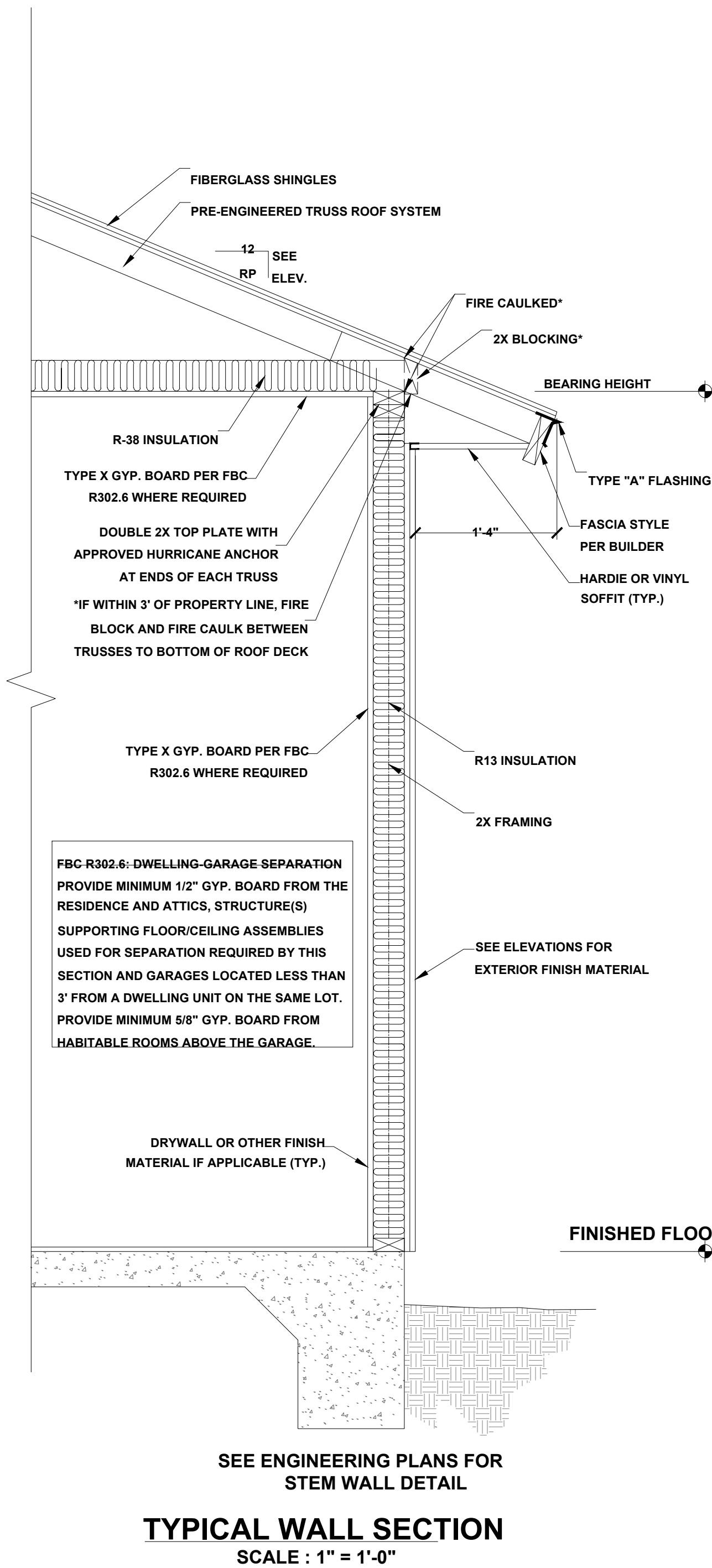
Tests conducted at NGC Testing Services
Test No: WP-1346(Fire Endurance) August 22, 2003
WP-1351(Fire Endurance) September 17, 2003

Third Party Witness: NGC Testing Services

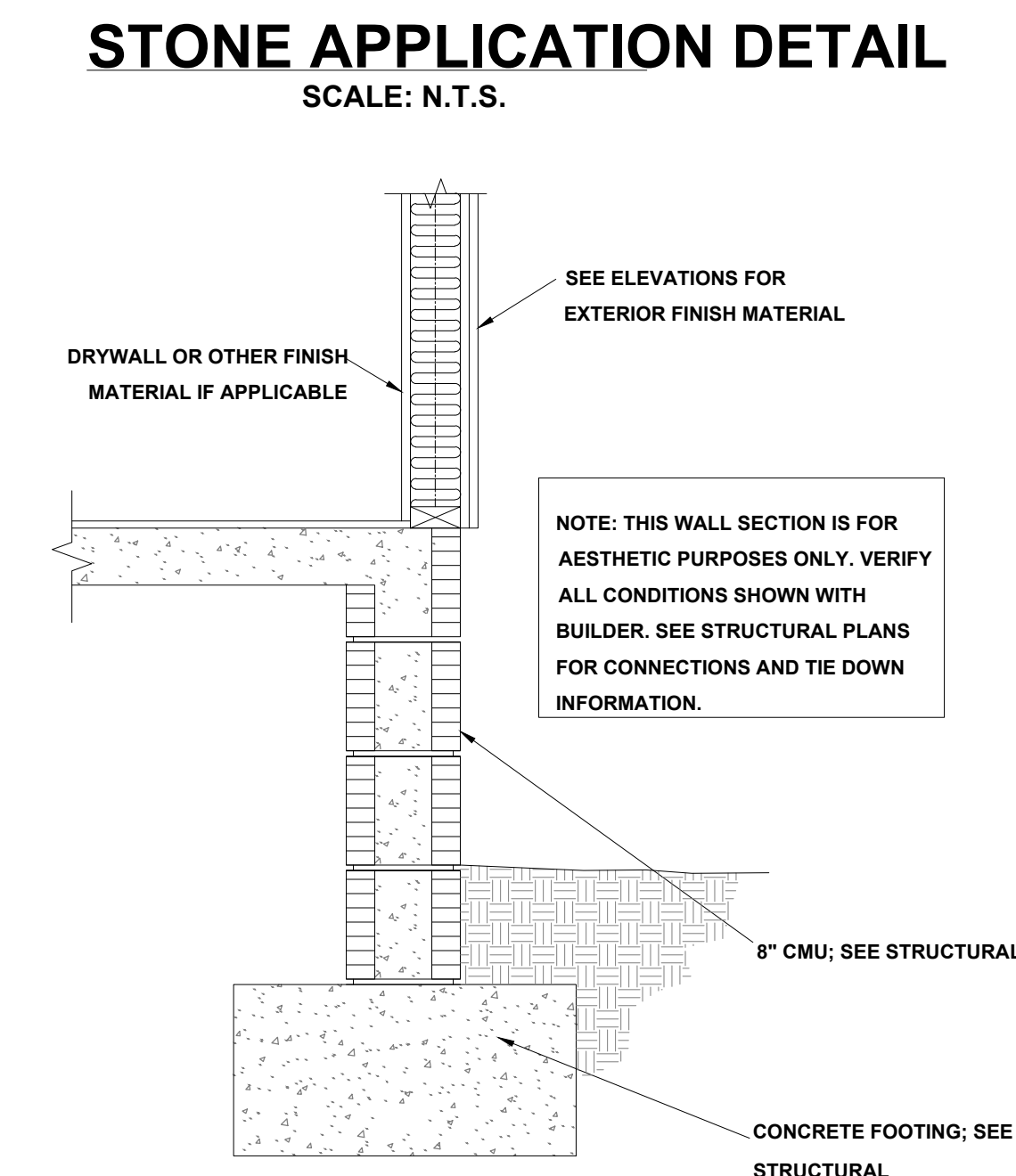
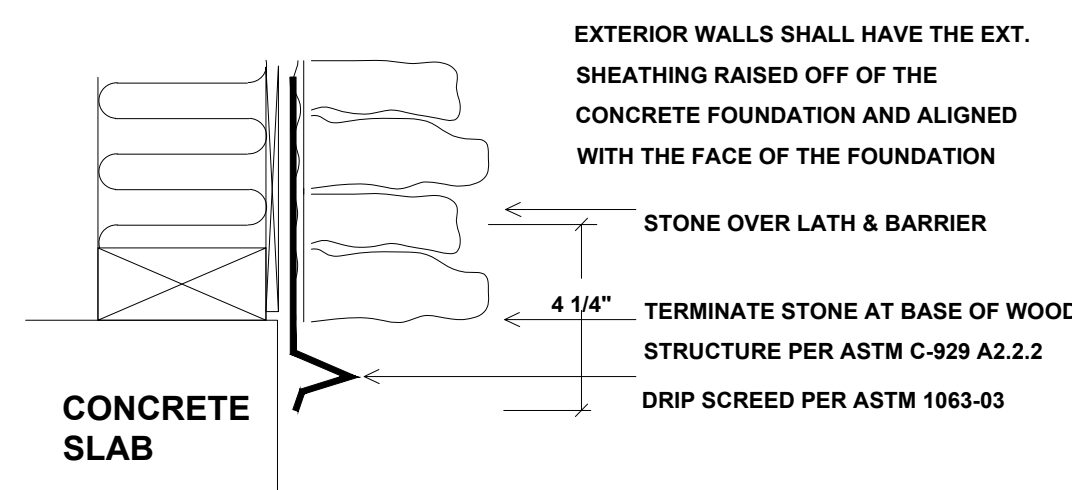
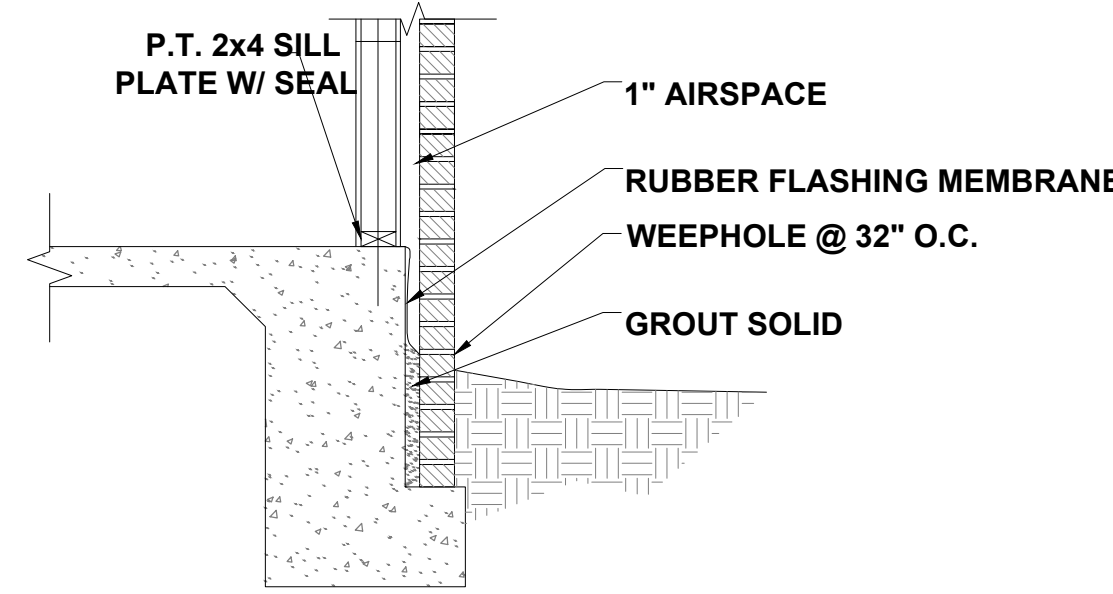
This assembly was tested at 100% design load, calculated in accordance with the 1997 National Design Specification for Wood Construction. The authority having jurisdiction should be consulted to assure acceptance of this report

American wood Council American Forest & Paper Association, INC October 2003

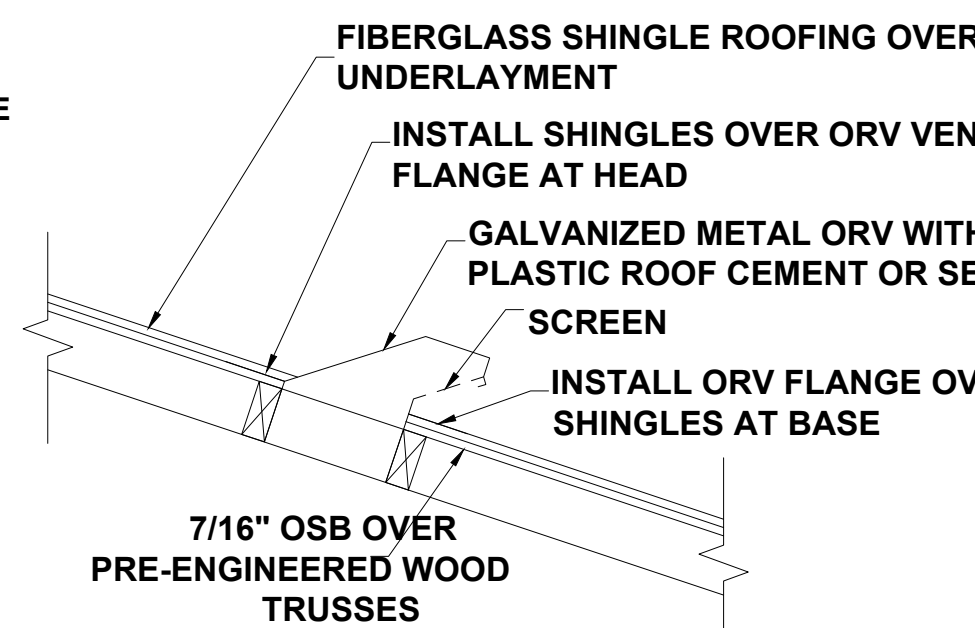
DOOR FLASHING INSTALLATION AND DETAIL
SCALE: N.T.S.



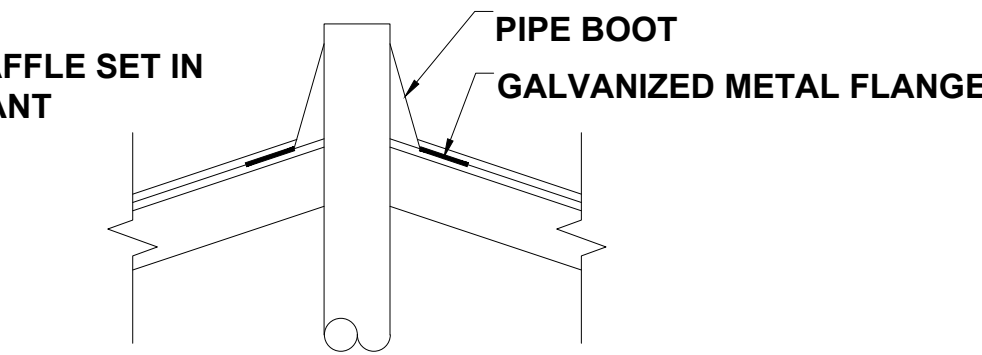
NOTE: THIS WALL SECTION IS FOR AESTHETIC PURPOSES ONLY. VERIFY ALL CONDITIONS SHOWN WITH BUILDER. SEE STRUCTURAL PLANS FOR CONNECTIONS AND TIE DOWN INFORMATION.



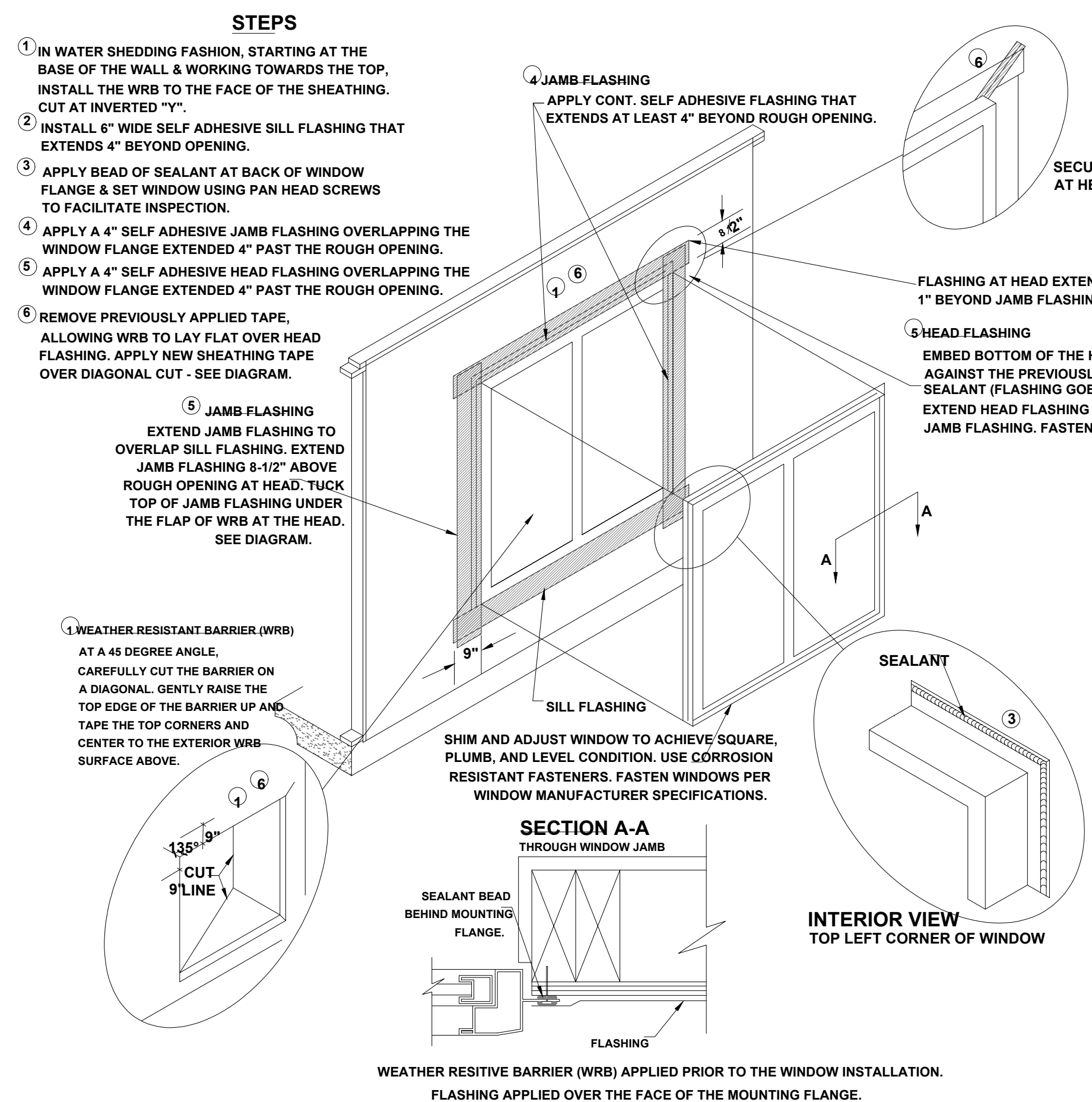
TYPICAL WALL SECTION (STEM WALL OPTION)
SCALE : 1" = 1'-0"



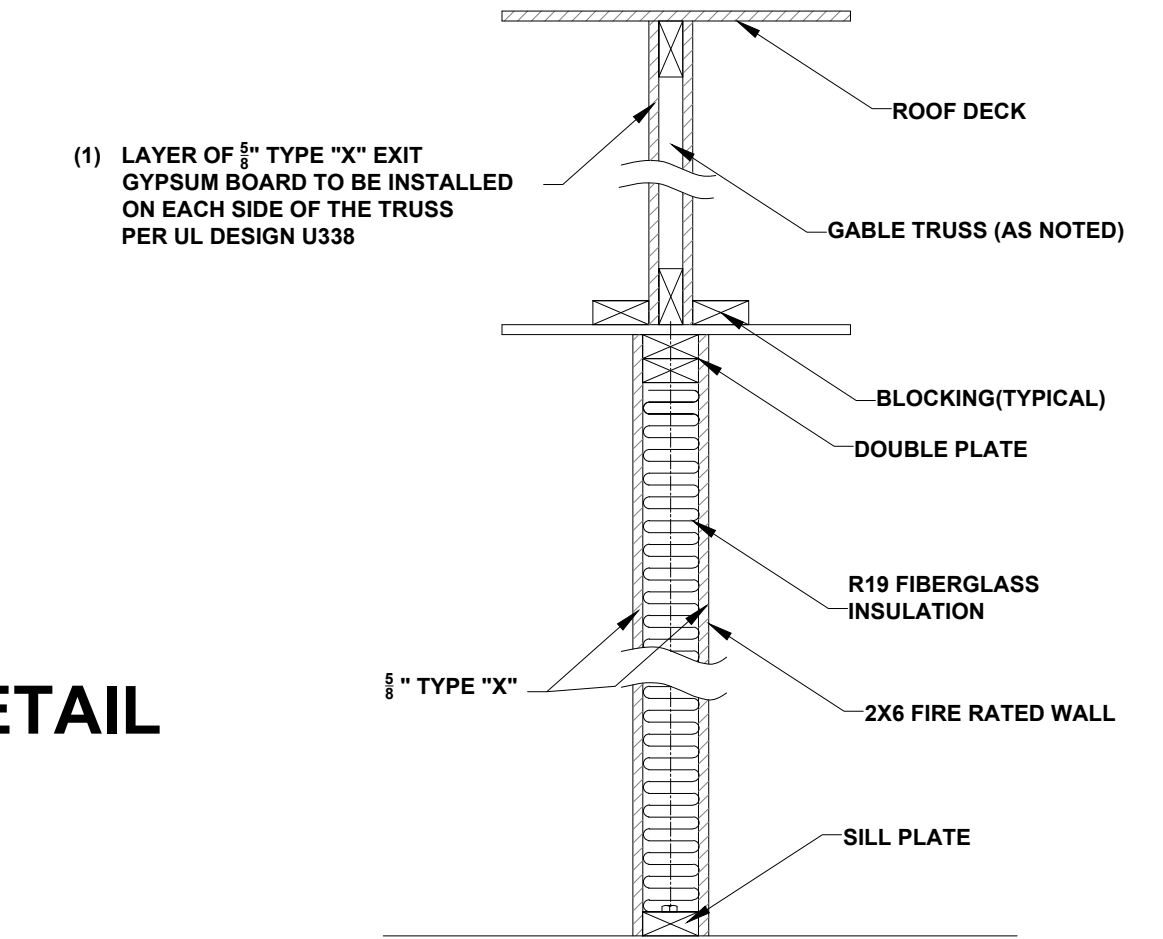
OFF RIDGE VENT DETAIL
NOT TO SCALE



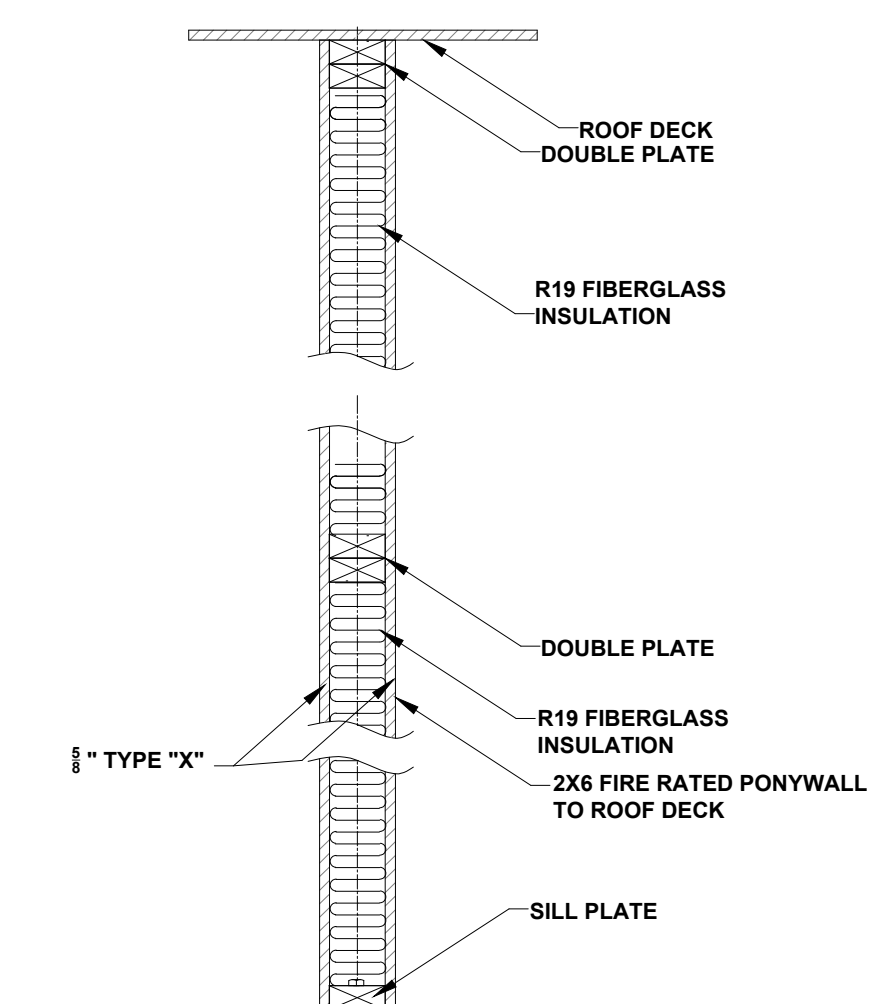
PLUMBING STACK FLASHING DETAIL
NOT TO SCALE



WINDOW INSTALLATION
SCALE: N.T.S.



SECTION - FIRE SEPARATION WALL (WS6-1.4) - TRUSS CENTERED ON WALL
(1 HOUR WALL PER FBC R3022.3 TWO FAMILY DWELLING)



SECTION - FIRE SEPARATION WALL (WS6-1.4) - PONYWALL TO ROOF DECK
(1 HOUR WALL PER FBC R3022.3 TWO FAMILY DWELLING)

Revisions	No	1	2	3	4	5	6	
	Date							
	By							
	A Project For:							
	SOUTHERN IMPRESSION HOMES 5711 Richard St. Suite 1 Jacksonville, FL 32216							
	Sheet Description A3.1 - Details Sheet							

Drawn by: _____ Checked by: _____
Issued Date: _____ Scale (U.N.O.): _____
Printed Date: _____ Sheet Number: _____



BXUV.U338 - Fire-resistance Ratings - ANSI/UL 263

Design/System/Construction/Assembly Usage Disclaimer

- Authorities Having Jurisdiction should be consulted in all cases as to the particular requirements covering the installation and use of UL Certified products, equipment, system, devices, and materials.
- Authorities Having Jurisdiction should be consulted before construction.
- Fire resistance assemblies and products are developed by the design submitter and have been investigated by UL for compliance with applicable requirements. The published information cannot always address every construction nuance encountered in the field.
- When field issues arise, it is recommended the first contact for assistance be the technical service staff provided by the product manufacturer noted for the design. Users of fire resistance assemblies are advised to consult the general Guide Information for each product category and each group of assemblies. The Guide Information includes specifics concerning alternate materials and alternate methods of construction.
- Only products which bear UL's Mark are considered Certified.

Fire-resistance Ratings - ANSI/UL 263

BXUV - Fire Resistance Ratings - ANSI/UL 263 Certified for United States
 BXUV7 - Fire Resistance Ratings - CAN/ULC-S101 Certified for Canada

See General Information for Fire Resistance Ratings - ANSI/UL 263 Certified for United States
 Design Criteria and Allowable Variations

See General Information for Fire Resistance Ratings - CAN/ULC-S101 Certified for Canada
 Design Criteria and Allowable Variations

Design No. U338

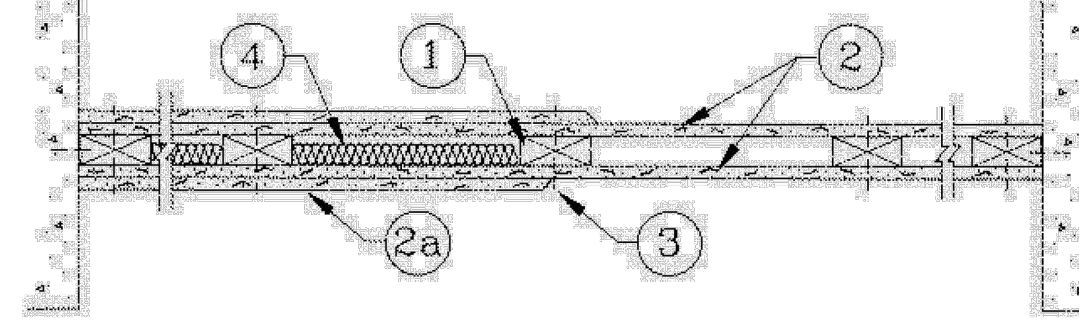
March 16, 2023

Nonbearing or Bearing Wall Rating — 1 HR.
 (See Items 2 and 2A)

Finish Rating — One Layer of Wallboard — Min. 20 Min.
 Two Layers of Wallboard — Min. 59 Min

This design was evaluated using a load design method other than the Limit States Design Method (e.g., Working Stress Design Method). For jurisdictions employing the Limit States Design Method, such as Canada, a load restriction factor shall be used — See Guide BXUV or BXUV7

* Indicates such products shall bear the UL or cUL Certification Mark for jurisdictions employing the UL or cUL Certification (such as Canada), respectively.



HORIZONTAL SECTION

1. **Wood Studs** — Nom 2 by 3 or 2 by 4 in., flat wise, spaced 24 in. O.C. max, effectively firestopped.

2. **Gypsum Board*** — Any 5/8 in. thick UL Classified Gypsum Board that is eligible for use in Design Nos. L501, G512 or U305. For Nonbearing Wall rating — One layer of 5/8 in. thick gypsum board secured to each side of studs. Gypsum board applied horizontally or vertically, unless specified below, with vertical joints centered on studs, and nailed to studs and bearing plates 7 in. O.C. with 6d cement coated nails, 1-7/8 in. long, 0.0915 in. shank diam and 1/4 in. diam head. As an alternate, No. 6 bugle head drywall screws, 1-7/8 in. long, may be substituted for the 6d cement coated nails. When used in widths other than 48 in., gypsum board to be installed horizontally.

AMERICAN GYPSUM CO (View Classification) — CKNX.R14196

BEIJING NEW BUILDING MATERIALS PUBLIC LTD CO (View Classification) — CKNX.R19374

CABOT MANUFACTURING ULC (View Classification) — CKNX.R25370

CERTAINTED GYPSUM INC (View Classification) — CKNX.R3660

CGC INC (View Classification) — CKNX.R19751

CERTAINTED GYPSUM INC (View Classification) — CKNX.R18482

GEORGIA-PACIFIC GYPSUM L L C (View Classification) — CKNX.R2717

NATIONAL GYPSUM CO (View Classification) — CKNX.R3501

PABCO BUILDING PRODUCTS L L C, DBA PABCO GYPSUM (View Classification) — CKNX.R7094

PANEL REY S A (View Classification) — CKNX.R21796

SIAM GYPSUM INDUSTRY (SARABURI) CO LTD (View Classification) — CKNX.R19262

THAI GYPSUM PRODUCTS PCL (View Classification) — CKNX.R27517

UNITED STATES GYPSUM CO (View Classification) — CKNX.R1319

USG BORAL DRYWALL SFZ LLC (View Classification) — CKNX.R38438

USG BORAL DRYWALL SFZ LLC (View Classification) — CKNX.R38438

USG MEXICO S A DE C V (View Classification) — CKNX.R16089

2A. **Gypsum Board*** — Same as Item 2. For Bearing Wall rating — Additional layer of 5/8 in. thick, 4 ft wide wallboard each side of studs. Attached to studs over inner layer 8 in. O.C. max, with 8d cement coated nails, 2-3/8 in. long, 0.113 in. shank diam and 9/32 in. diam head.

2B. **Gypsum Board*** — (As an alternate to Item 2, not shown) - For Nonbearing Wall rating - Any 5/8 in. thick gypsum panels that are eligible for use in Design Nos. L501, G512 or U305, supplied by the Classified companies listed below shown in the Gypsum Board* (CKNX) category. Applied horizontally or vertically and attached to studs and bearing plates with 1-1/4 in. long Type W coarse thread gypsum panel steel screws spaced a max 8 in. O.C. with last screw 1 in. from edge of board. When used in widths other than 48 in., gypsum board to be installed horizontally.

CGC INC

UNITED STATES GYPSUM CO

USG BORAL DRYWALL SFZ LLC

USG MEXICO S A DE C V

2C. **Gypsum Board*** — Same as Item 2B. For Bearing Wall rating — Additional layer of 5/8 in. thick, 4 ft wide wallboard each side of assembly. Attached to studs over inner layer 8 in. O.C. max with 1-7/8 in. long Type W coarse thread gypsum panel steel screws.

CGC INC

UNITED STATES GYPSUM CO

USG BORAL DRYWALL SFZ LLC

USG MEXICO S A DE C V

2D. **Gypsum Board*** — (As an alternate to Item 2, not shown) - For Nonbearing Wall rating - 5/8 in. thick gypsum panels applied horizontally or vertically and attached to studs and bearing plates with 1-1/4 in. long Type W coarse thread gypsum panel steel screws spaced a max 8 in. O.C. with last screw 1 in. from edge of board. When used in widths other than 48 in., gypsum board to be installed horizontally.

AMERICAN GYPSUM CO — Types AGX-1, M-Glass, AG-C, LightRoc

CABOT MANUFACTURING ULC — Type X, 5/8 Type X

CERTAINTED GYPSUM INC — Type C, Type X-1, or Type SilentFX

GEORGIA-PACIFIC GYPSUM L L C — Type TG-C

NATIONAL GYPSUM CO — Type FSK, Type FSK-G, Type FSW, Type FSW-3, Type FSW-5, Type FSW-G, Type FSK-C, Type FSW-C, Type FSMR-C, Type FSW-6, Type FSL

THAI GYPSUM PRODUCTS PCL — Type C or Type X

2E. **Gypsum Board*** — Same as Item 2D. For Bearing Wall rating — Additional layer of 5/8 in. thick, 4 ft wide wallboard each side of assembly. Attached to studs over inner layer 8 in. O.C. max with 1-7/8 in. long Type W coarse thread gypsum panel steel screws.

AMERICAN GYPSUM CO — Types AGX-1, M-Glass, AG-C, LightRoc

CABOT MANUFACTURING ULC — Type X

CERTAINTED GYPSUM INC — Type C, Type X-1

GEORGIA-PACIFIC GYPSUM L L C — Type TG-C

THAI GYPSUM PRODUCTS PCL — Type C or Type X

2F. **Gypsum Board*** — (As an alternate to Item 2, not shown) - For Nonbearing Wall rating - 5/8 in. thick gypsum panels, with square edges, applied either horizontally or vertically. Gypsum panels fastened to framing with 1-1/4 in. long Type W coarse thread gypsum panel steel screws spaced a max 8 in. O.C. with last 2 screws 1 and 4 in. from edge of board or nailed as described in Item 3. When used in widths of other than 48 in., gypsum boards are to be installed horizontally.

GEORGIA-PACIFIC GYPSUM L L C — GreenGlass Type X, Type DGG

2G. **Gypsum Board*** — Same as Item 2F. For Bearing Wall rating — Additional layer of 5/8 in. thick, 4 ft wide wallboard each side of assembly. Attached to studs over inner layer 8 in. O.C. max with 1-7/8 in. long Type W coarse thread gypsum panel steel screws.

GEORGIA-PACIFIC GYPSUM L L C — GreenGlass Type X, Type DGG

2H. **Gypsum Board*** — (As an alternate to Items 2 through 2H) - 5/8 in. thick, 4 ft. wide, paper surfaced applied horizontally or vertically and secured with 1-1/4 in. Type W coarse thread gypsum panel steel screws spaced a maximum of 12 in. O.C.

CERTAINTED GYPSUM INC — Type SilentFX

GEORGIA-PACIFIC GYPSUM L L C — Type X ComfortGuard Sound Deadening Gypsum Board.

NATIONAL GYPSUM CO — Type SBWB

2I. **Gypsum Board*** — (As an alternate to Items 2 through 2H) — Nominal 5/8 in. thick, 4 ft wide panels, applied vertically and secured as described in Item 2 or 2A.

PABCO BUILDING PRODUCTS L L C, DBA PABCO GYPSUM — Type QuietRock ES

2J. **Wall and Partition Facings and Accessories*** — (As an alternate to Items 2 through 2I) — Nominal 5/8 in. thick, 4 ft wide panels, applied vertically and secured as described in Item 2 or 2A.

PABCO BUILDING PRODUCTS L L C, DBA PABCO GYPSUM — Type QuietRock S27

2K. **Gypsum Board*** — (As an alternate to 5/8 in. Type FSW in Item 2) — 2 layers nom. 5/16 in. thick gypsum panels applied vertically or horizontally. Horizontal joints on the same side need not be staggered. Inner layer attached with fasteners, as described in Item 2, spaced 24 in. O.C. Outer layer attached per Item 2.

NATIONAL GYPSUM CO — Type FSW

2L. **Gypsum Board*** — (As an alternate to Item 2) — 5/8 in. thick gypsum panels, with beveled, square, or tapered edges, applied either horizontally or vertically. Gypsum panels fastened to framing with 1-1/4 in. long Type W coarse thread gypsum panel steel screws spaced a maximum 10 in. O.C. with the last two screws 4 and 1 in. from the edges of the board. When used in widths other than 48 in., gypsum panels are to be installed horizontally.

CERTAINTED GYPSUM INC — Type LGFC6A (finish rating 21 min), Type LGFC2A, Type LGFC-CJA, Type LGFC-WD, Type LGLLX

3. **Joints and Nail Heads** — Gypsum board joints of outer layer covered with paper tape and joint compound. Nail heads of outer layer covered with joint compound. As an alternate, nom 3/32 in. thick gypsum veneer plaster may be applied to the entire surface of Classified veneer baseboard with joints reinforced with paper tape.

4. **Batts and Blankets*** — (Optional) — Max 1 in. thickness glass or mineral fiber batt insulation.

See **Batts and Blankets*** (BZJ2) category for names of Classified companies.

4A. **Fiber, Sprayed*** — As an alternate to Batts and Blankets (Item 4) — Spray applied cellulose material. The fiber is applied with water to completely fill the enclosed cavity in accordance with the application instructions supplied with the product with a nominal dry density of 2.7 lbs/ft³. Alternate Application Method: The fiber is applied without water or adhesive at a nominal dry density of 3.5 lbs/ft³, in accordance with the application instructions supplied with the product.

Applegate Greenfiber Acquisition LLC — INS735, INS745, INS750LD, and Insulma for use with wet or dry application. INS515LD, INS541LD, INS735, INS765LD, and INS773LD are to be used for dry application only.

4B. **Fiber, Sprayed*** — As an alternate to Batts and Blankets (Item 4) - Spray applied cellulose insulation material. The fiber is applied with water to interior surfaces in accordance with the application instructions supplied with the product. Applied to completely fill the enclosed cavity. Minimum dry density of 4.3 pounds per cubic ft.

NU-WOOL CO INC — Cellulose Insulation

4C. **Fiber, Sprayed*** — As an alternate to Batts and Blankets (Item 4) - Spray applied cellulose fiber. The fiber is applied with water to completely fill the enclosed cavity in accordance with the application instructions supplied with the product. The minimum dry density shall be 4.30 lbs/ft³.

INTERNATIONAL CELLULOSE CORP — Celbar RL

4D. **Fiber, Sprayed*** — As an alternate to Batts and Blankets (Item 4) - Spray applied cellulose material. The fiber is applied with water to completely fill the enclosed cavity in accordance with the application instructions supplied with the product. To facilitate the installation of the material, any thin, woven or non-woven netting may be attached by any means possible to the outer face of the studs. The material shall reach equilibrium moisture content before the installation of materials on either face of the studs. The minimum dry density shall be 5.79 lbs/ft³.

APPLAGATE HOLDINGS L L C — Applegate Advanced Stabilized Cellulose Insulation

* Indicates such products shall bear the UL or cUL Certification Mark for jurisdictions employing the UL or cUL Certification (such as Canada), respectively.

Last Updated on 2023-03-16

The appearance of a company's name or product in this database does not in itself assure that products so identified have been manufactured under UL Solutions' Follow - Up Service. Only those products bearing the UL Mark should be considered to be Certified and covered under UL Solutions' Follow - Up Service. Always look for the Mark on the product.

UL Solutions permits the reproduction of the material contained in Product iQ subject to the following conditions: 1. The Guide Information, Assemblies, Constructions, Designs, Systems, and/or Certifications (files) must be presented in their entirety and in a non-misleading manner, without any manipulation of the data (or drawings); 2. The statement "Reprinted from Product iQ with permission from UL Solutions" must appear adjacent to the extracted material. In addition, the reprinted material must include a copyright notice in the following format: "©2023 UL, LLC."

No	Revisions	Date	By
1			
2			
3			
4			
5			
6			

1 STORY DUPLEX
 1954 FRAME
 PALM COAST

A Project For:
 SOUTHERN IMPRESSION
 HOMES
 5711 Richard St., Suite 1
 Jacksonville, FL 32216

Sheet Description
 A3.2 - Details
 Sheet UL338

Drawn by:	Checked by:
Issued Date:	Scale (U.N.O.):
Printed Date:	Sheet Number